

## FORCE GAUGES

### FB and FC

- press and pull force measurement
- internal and external force sensor
- microSD card result storing
- weight measurement possibility
- RS232C and USB for printer and computer
- maximal value measurement, threshold, statistics, diagrams



FB and FC series force gauges are designed to measure push and pull force in wide range of values. FB force gauges are designed for slow-changing forces. FC force gauges enable to perform 1000 measurements/s, which enables to measure fast-changing forces. Both series can be applied in specialized laboratories, in manufacture and quality control.



ext. calibration



force chart



units selection



max force



results memory



date and time



multilanguage



min force



printout configuration



thresholds/seletion



statistics

#### Options:



Terminals set



Ball terminals  
MHK107:111



Manual grip  
NJJ-03



Allen grip  
NJJ-08



Roller grip  
NJJ-04



Hook for hanging



Double-hand handle



Manual stand  
horizontal and vertical

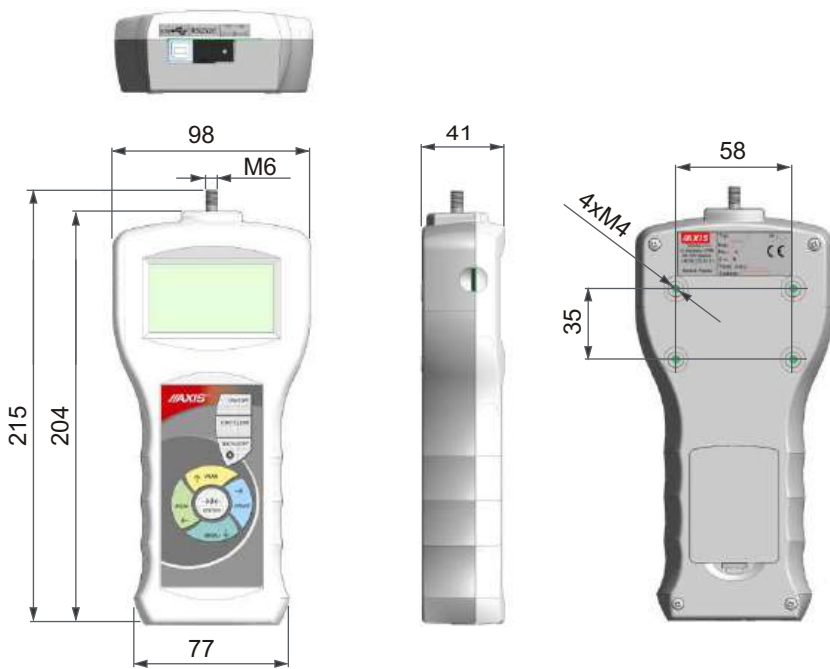


Motorized stand  
horizontal and vertical

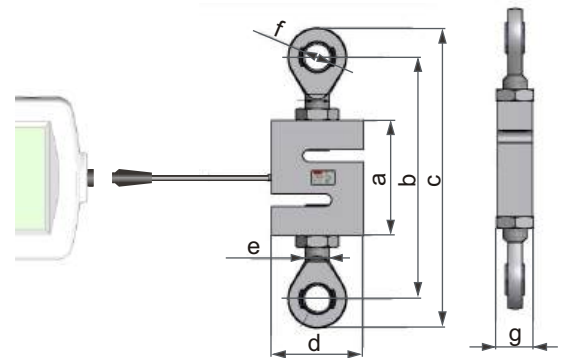


Suitcase  
(for free!)

Internal sensor



External sensor with bearings



Dimensions [mm]	a	b	c	d	e	f	g
1 : 5kN	76,2	152	184	51	M12	φ12	22
10kN	- II -	158	190	50,8	- II -	- II -	29
20kN	101,6	216	263	76,2	M20x1,5	φ20	- II -
50kN	139,7	262	322	101,6	M24x2	φ25	36
100/150kN	200	420	522	160	M42x3	φ45	65
200kN	230	441	541,4	190	- II -	- II -	80

Technical data	internal sensor						external sensor									
	Model	FB5	FB10	FB20	FB50	FB200	FB500	FB1k	FB2k	FB5k	FB10k	FB20k	FB50k	FB100k	FB150k	FB200k
		FC5	FC10	FC20	FC50	FC200	FC500	FC1k	FC2k	FC5k	FC10k	FC20k	FC50k	FC100k	FC150k	FC200k
Maximum force measured	5N	10N	20N	50N	200N	500N	1kN	2kN	5kN	10kN	20kN	50kN	100kN	150kN	200kN	
(weight)	(~0,5kg)	(~1kg)	(~2kg)	(~5kg)	(~20kg)	(~50kg)	(~100kg)	(~200kg)	(~500kg)	(~1t)	(~2t)	(~5t)	(~10t)	(~15t)	(~20t)	
Reading graduation	0,001N	0,002N	0,005N	0,01N	0,05N	0,1N	0,2N	0,5N	1N	2N	5N	10N	20N	50N	50N	
Accuracy	±0,1% F.S.															
Maximum overload	±20%															
Operational temperature	-10 ÷ +40°C															
Units	N, kgf, lbf, ozf, g, lb, oz, kg															
Display	graphical LCD 61x34mm, mass indication digits height 7mm															
Measurement speed	FB series: 10 or 40 measurements/s FC series: regulated max 1000 measurements/s															
Measuring functions	maximal value measurement, serial measurement, measurement in time															
Measurements memory	RAM 6 400 measurements, microSD card slot; only FC: optional RAM memory expansion to 72000 measurements or 26000 with date+time															
Interfaces	RS232C, USB, clock; options: trigger IN, transoptor OUT (for thr function)															
Software	AXIS FM program															
Power supply	internal accumulators NiMH: 4x1,2V 2700mAh + supply: ~230V 50Hz / 12V; 1,2A															
Working time with accumulator	~30h (~25h with backlighting)															
Gauge plunger	length 11mm, thread M6x8mm						-									
Dimensions	215x98x41mm						215x98x41mm (without sensor)									
Weight	430g (without accumulator)						350g (without accumulator and sensor)									
Standard equipment	terminals set						bearings									